

EXCEL

Excel Wall Mounted Cabinets – 390 Series



Range of heights – 6u through to 21u

Quick release side panels for easy access

Choice of colour

Features

- Available in 6 heights, 6u, 9u, 12u, 15u, 18u and 21u
- Choice of colour, Grey and Black
- Aesthetically pleasing framed safety glass front door
- Quick release doors and side panel
- Adjustable front and rear 19" mounting profiles
- Removable cable entry panel in top and base

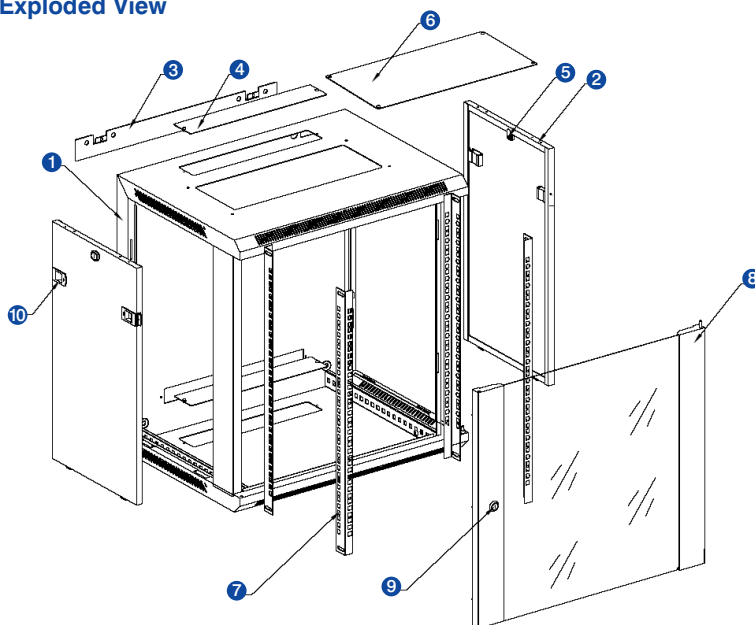
Product Overview

The Excel 390 series is a range of 19" 390mm wall mount enclosures designed for installation of both cabling and equipment, and is ideal for use across a range of applications including local area networking (LAN) cabling and hardware, and the housing of security and audio and visual equipment.

Each cabinet is designed with strength, ease of use and aesthetics in mind. Features such as quick release doors and side panels, fully adjustable front and rear profiles and above average access through the either the top or base of the cabinet make the product extremely flexible and easy to install cables and equipment into.

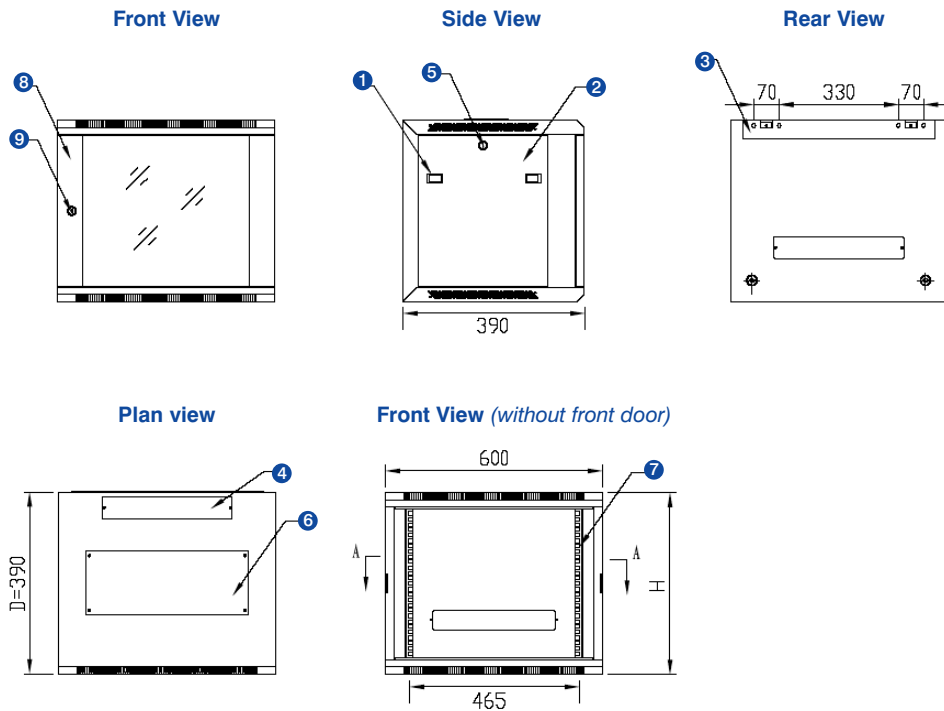
A full range of Excel accessories are available to complete cable or equipment installation from shelving through to ventilation and power distribution units.

Exploded View



- 1 Frame
- 2 Side panel
- 3 Mounting panel
- 4 Cable entry cover, removable
- 5 Side key lock
- 6 Fan cover, removable
- 7 Mounting profile
- 8 Front door
- 9 Front door key lock
- 10 Slam latch lock

Sectional Views



- ① Slam latch lock
- ② Side panel
- ③ Mounting panel
- ④ Cable entry cover, removeable
- ⑤ Side key lock
- ⑥ Fan cover, removeable
- ⑦ Mounting profile
- ⑧ Front door
- ⑨ Front door key lock

All dimensions are shown in mm

Product Specification

Material Thickness

Cabinet Part	
Frame	1.20mm
Top cover and fan entry plate	1.20mm
19" mounting angles	1.50mm
Side panels	1.20mm
Front door frame	1.20mm
Front door glass	5.00mm

Product Standard Compliance

Manufacturing facility	ISO 9001:2000
19" mounting angles	IEC297-1
Overall cabinet dimensions	IEC297-2
Load carrying capacity	63kg
Paint finish, grey cabinet	Ral 7044
Paint finish, black cabinet	Ral 9004
Paint finish, front door blue trim	Ral 5013
Glass door, safety specification	BS3193:1993
Surface treatment	Fosfat Coating

Product Features



- Aesthetically pleasing design with framed glass front door



- Lockable, quick release side panels, for maximum access into cabinet



- Cable entry cut out in top and base



- Angled vented roof



- Adjustable 19" mounting profiles

Part Number Information

U Size	Width (mm)	Overall Height (mm)	Depth (mm)	Part Number - Grey	Part Number - Black
390 Series					
6u	600	368	390	WB6.390SG	WB6.390SGB-BK
9u	600	501	390	WB9.390SG	WB9.390SGB-BK
12u	600	635	390	WB12.390SG	WB12.390SGB-BK
15u	600	769	390	WB15.390SG	WB15.390SGB-BK
18u	600	901	390	WB18.390SG	WB18.390SGB-BK
21u	600	1037	390	WB21.390SG	WB21.390SGB-BK

The Excel series of wall mount cabinets are also available in 500mm depths. We also supply a broad range of floor standing cabinets.



Adept Networks Ltd
Unit 63, Pembroke Centre, Cheney Manor Ind Estate
Swindon, Wilts, SN2 2PQ, GB

Tel: 01793 432444 Fax: 01793 432324

Email: sales@adeptnetworks.co.uk Web: www.adeptnetworks.co.uk